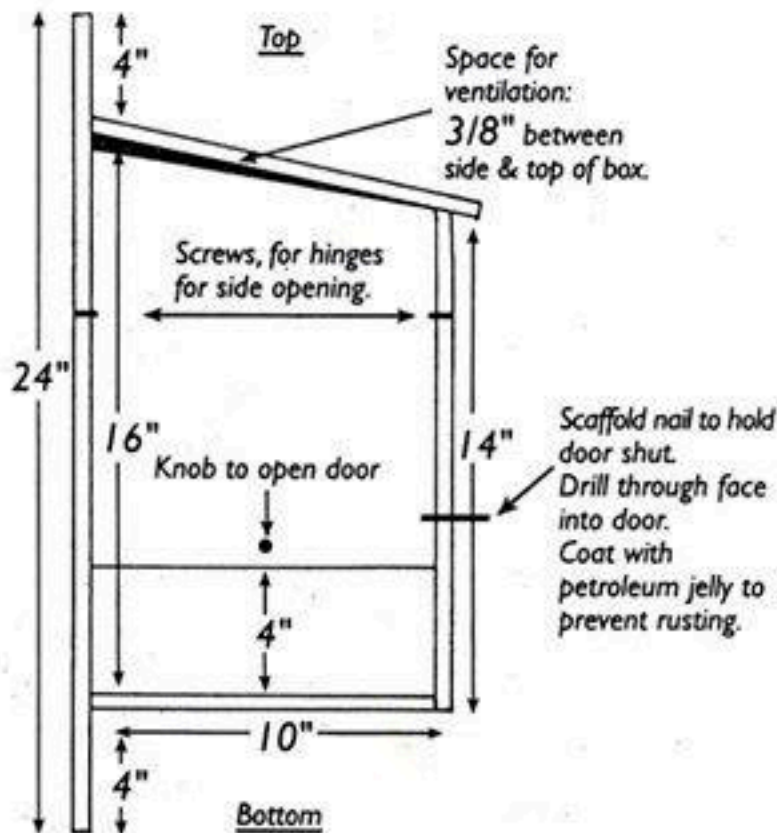


Kestrel Nestbox Plans:

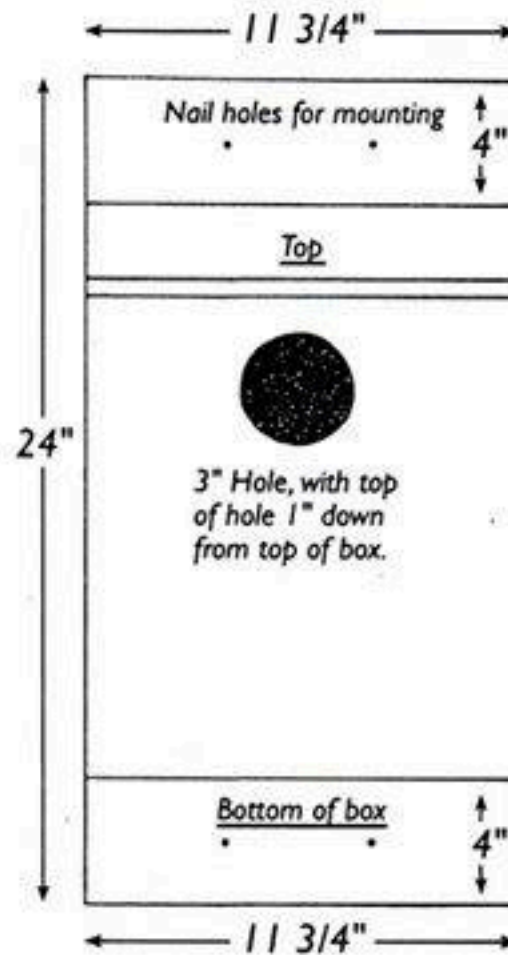
- Use raw pine or cedar. **Do not paint or treat with a wood preservative.**
- An outside perch is not necessary, and may attract other species to the box.
- Use 1 5/8" galvanized deck screws for the box.

- You can place a perch inside (using cutout from entrance) about three inches below entrance hole.
- Place 2" of coarse wood shavings (not sawdust) in bottom of box, each year before nesting season.
- Place 2 two-penny nails top and bottom to attach to the tree.

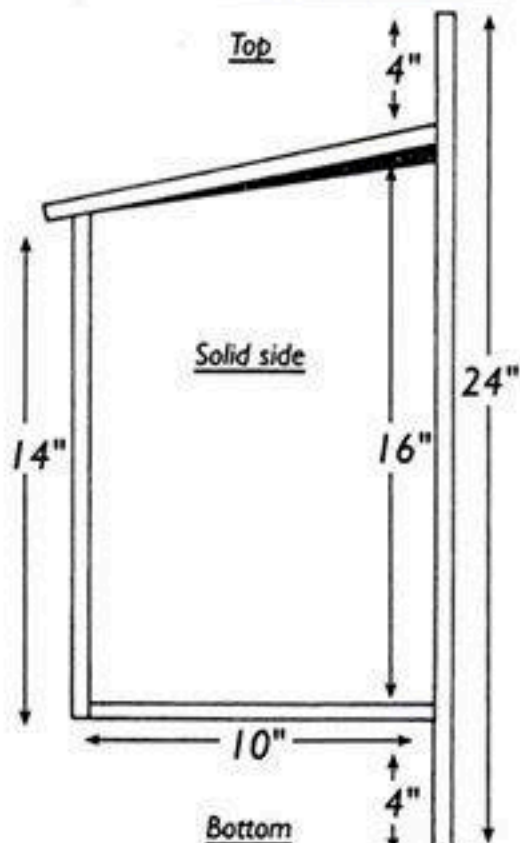
SIDE VIEW WITH DOOR



FRONT VIEW OF BOX



SIDE VIEW OTHER SIDE OF BOX



BOTTOM OF BOX

